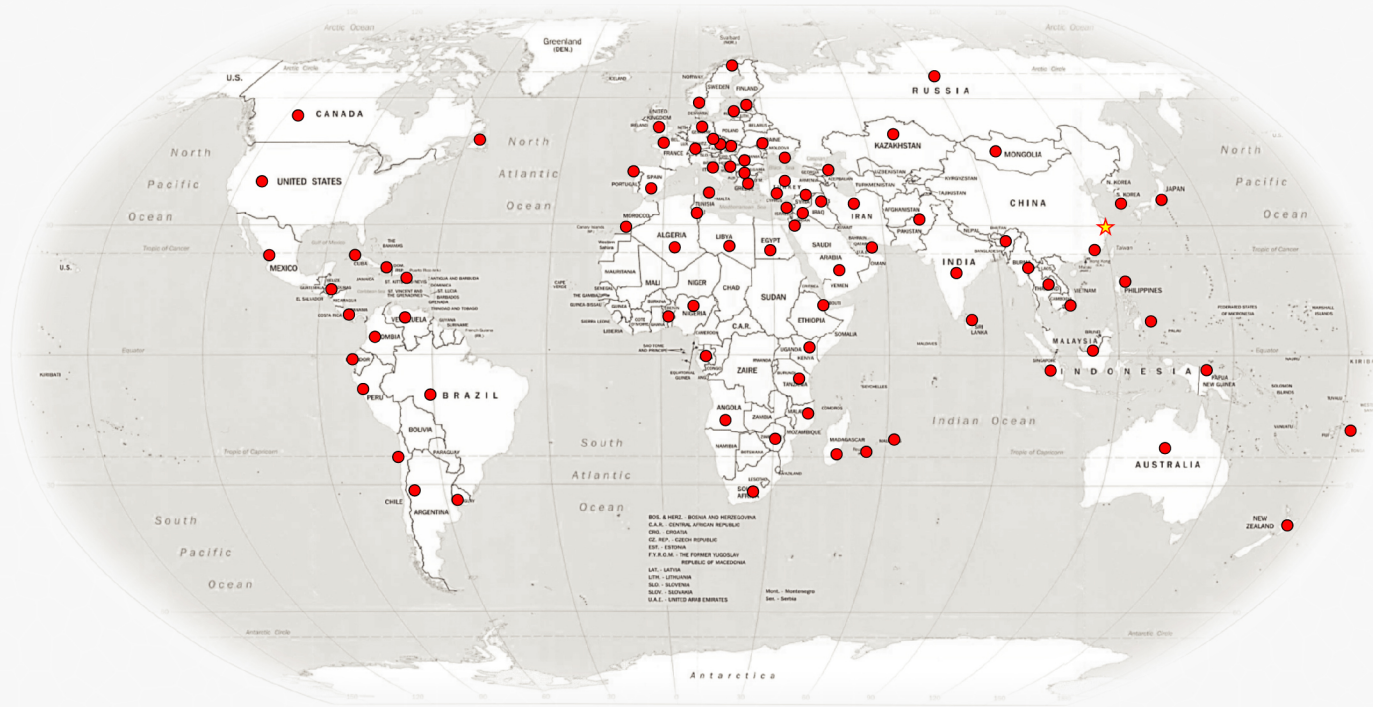


**G**LOBAL SALES NETWORK

**ELECTRIC TOW TRACTOR**

10-15t



CE CERTIFICATE



ISO14001: 2004



ISO9001: 2008

**HANGCHA GROUP CO., LTD.**  
(Zhejiang Hangcha Imp.&Exp.Co.,ltd.)

[www.hcforlift.com](http://www.hcforlift.com)

Add:398 Shi Qiao Road, Hangzhou Zhejiang province, China(310022)  
Factory site:No.88,Donghuan Rd.,Economic Development Zone Lin'an,Zhejiang,China(311305)  
Fax: +86-571-88926789 88132890  
E-mail: [whsales@hcforlift.com](mailto:whsales@hcforlift.com)  
[sales@hcforlift.com](mailto:sales@hcforlift.com)

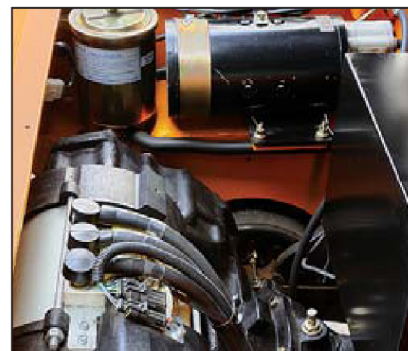
HANGCHA GROUP CO., LTD. Reserves the right to make any changes without notice concerning colors, equipment, or specifications detailed in this brochure, or to discontinue individual models. The colors of trucks, delivered may differ slightly from those in brochures.

2014 VERSION 1/ COPYRIGHT 2014/04

**HANGCHA GROUP CO., LTD.**



Forward/Reverse inching switch and emergency stop button are mounted on the left rear, they make the hook easy and safe.



The large internal space is easy for maintenance.



Side-exchange battery design is convenient for changing battery.



The battery cover can be fully opened, the design is easy for maintenance.

### 10-15t electric tow tractor specification

Specification	Manufacture		HANGCHA			
	Model		QSD10-C1	QSD15-C1		
	Operation		Seated	Seated		
Performance	1	Towed load capacity	Kg	10000	15000	
	2	Rated drawbar pull(60min)	Kg	250	375	
	3	Max.Drawbar pull(5min)	Kg	800	1100	
	4	Travel speed with rated load	Km/h	10	10	
	5	Travel speed without load	Km/h	18	18	
	6	Gradeability without load	%	25	25	
	7	Turning radius	mm	1985	2170	
Dimensions	8	Overall length	mm	2122	2322	
	9	Width	mm	1100	1100	
	10	Height	Without cab(Std)	mm	1440	1440
			with cab(Option)	mm	2112	2112
	11	Wheel base	mm	1200	1400	
	12	Thread	Front	mm	897.5	897.5
			Rear	mm	908	908
	14	Ground clearance	mm	100	100	
	15	Towing coupling height	mm	350/450	350/450	
	16	Service weight	Kg	2200	2450	
Tyre	17	Front wheels/number		5.0-8/2	5.0-8/2	
	18	Rear wheels/number		6.0-9/2	6.0-9/2	
Drive	19	Battery	A.H	420	450	
	20	Voltage	V	48	80	
	21	Motor	KW	AC6.8	AC11.75	

### 10-15t electric tow tractor performance (5 Min start on slope)

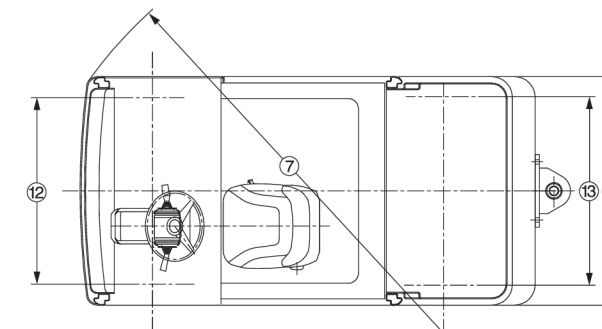
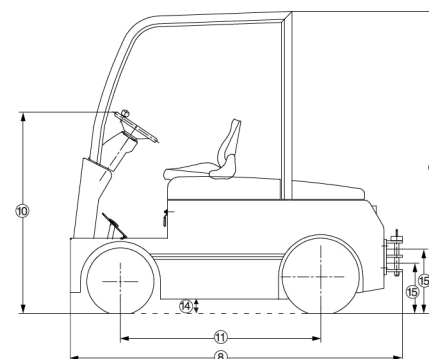
Surface condition (Dry Even Concrete)	Model		QSD10-C1	QSD15-C1
	Level load		10000	15000
Grade (Degrees)	1°		8500	12000
	2°		6800	9500
	3°		5500	8000
	4°		4500	6800

Specifications are subject to change without notice.

### Options

- Super elastic solid tyre
- Closed cabin
- Warning lamp
- High capacity import battery
- Suspension seat
- Charger
- Simple cabin
- Mirror
- Customer painting
- Height of tractor pin

### Dimensions



### Appearance

- Body choosing modern large circular arc streamline surface modeling, is in accordance with international design trend.

### Reliability

- The battery is dropped down to the lowest part of frame, this gives the tractor excellent stability because low center of gravity.

### Comfort

- Low noise, low shake, energy efficient, environmental protection.
- Low step and capacious room will be much appreciated by operator who have to get on and off.
- Ergonomically design switch instrument and pedal. Adjustable steering wheel and seat ensure driver maximum comfortable and minimum fatigue.
- Full hydraulic steering system, the steering is easy.
- Large-capacity of the container making the operation more flexible and convenient.

### Advance

- New AC system provide more power, more precise performance of speed control, more safety and reliability, regenerative system.
- High effective AC system prolong the working time.
- Adopt the international first-class brand of LCD, with the battery indication, fault self-diagnosis table and accurately display in the harsh environment function.
- Rich visual sense improve the productivity.
- Exchange battery is easy because the design of side-exchange battery.

### Easy maintain

- You can open and close the battery cover hood for daily checkup the battery, motor and controller. It's easy to access inner of battery cover for maintenance.

### Advantage of AC system

- Multiple benefits of the AC Power System include: fast response to operating commands, precise power control, regenerative system.

- Economy of operation, resulting from minimized maintenance costs, e.g.
- A high number of work cycles can be obtained from each battery charge due to the efficiency of the system of energy control.
- System is fully adjustable to suit the load, working area and operator. Inbuilt diagnostics record intermittent faults and service requirements reducing expensive service time.

### Standard Feature

- Head lamp
- Turning lamp
- Rear combined LED
- Horn
- Emergency disconnect switch
- Inching function
- AC Power System
- Standard battery
- Large LCD display
- Pneumatic tyre